

1

2 A

3

v

4

5

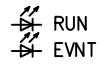
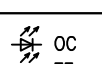
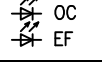

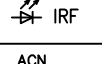
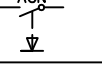
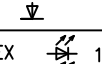
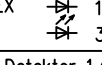
6

**BINÄRA INGÅNGAR / BINARY INPUTS**

Binära ingångar / Binary Inputs

**IPC4020**

**FUNCTION**

 RUN  
 EVNT  
 OC  
 EF  
 AUX  
 IRF  
 ACN  
 EX

1: Detektor 1 / Detector 1  
 2: Detektor 2 (Endast med EXP modul) / Detector 2 (applies to expanded device)  
 3: Detektor 3 (Endast med EXP modul) / Detector 3 (applies to expanded device)  
 4: Generell start, OC eller EF / Indicates start fault detection

Bliks 0,5Hz vid ok / Normally flashing at 0.5 Hz  
 Telegram i kön / Unsent telegram in the queue  
 Överström / Overcurrent  
 Jordfel / Earth fault  
 Frekvensavvikelse / Frequency deviation

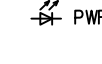
X6  
 1 BIO1  
 2 BIO2  
 3 BIO3  
 4 BIO4  
 5 BIO5  
 6 BIO6  
 7 BIO7  
 8 BIO8  
 9 BIO9  
 X5  
 1 BIO9  
 2 BIO10  
 3 BIO11  
 4 BIO12  
 5 BIO13  
 6 BIO14  
 7 BIO15  
 8 BIO16  
 9

X1  
 1A 1A  
 2 IL1  
 X2  
 1A 1A  
 2 IL2  
 X3  
 1A 1A  
 2 IL3

Configuration via USB  
 USB RX/TX USB PORT Type B  
 Link Ethernet RJ45 10/100Base  
 Act 10/100Base  
 SLAVE TX+ TX- RS485 RX(TX)+ RX(TX)-  
 COM.PORT TERM  
 MASTER TX+ TX- RS485 RX(TX)+ RX(TX)-  
 COM.PORT  
 OPTION DSUB RS232 X12  
 X11  
 X13

Servicegränssnitt / Service port  
 USB port, type B  
 Service port – IEC 60870–5–104  
 Ethernet  
 RJ45 10/100Base – TX Full Dupl.  
 RS485(–422) – IEC 60870–5–101.  
 2– eller 4–tråds kommunikation / 2– or 4–wire  
 Terminering / Termination  
 OPTION  
 RS485 – EC 60870–5–101 Master  
 2–tråds kommunikation / 2–wire  
 Terminering / Termination  
 OPTION – RS232

Strömförsörjning / Power supply  
 X4  
 1 POWER  
 3 24 – 48 VDC  
 2

 PWR

blad 2 / sheet 2

STANDARD DRAWING

				IPC4020 – Fault detector		Design checked by T.K	Scale	CIRCUIT DIAGRAM	Rev Ind 2
2	Rev.	BoA	220810	for overcurrent and earth fault		Drawn by BoA	Date 2020-02-20	IPC4020	Sheet 1
1	Rev. CT, 1A o C, terminal marking	BoA	200601	with integrated remote terminal unit/RTU				Article no: 101140	Sheet/Cont 2
Rev	Revision	Sign.	Date					IPC4020-CD-001	

1

2 V

3

A

4

5

6

We reserve all rights in this document and the information contained therein. Reproduction, use or disclosure to third parties without express authority is strictly forbidden.

IPC4020-CD-001\_0001.dwg

1

2 A

3

v

4

5

6

blad 1/sheet 1

IPC4020

Binära utgångar  
/Binary outputsBINÄRA UTGÅNGAR  
/BINARY OUTPUTS

RELAY	FUNCTION
BO.01	-
BO.02	-
BO.03	-
BO.04	-
BO.05	-
BO.06	-
BO.07	-
BO.08	-

We reserve all rights in this document and the information contained therein. Reproduction, use or disclosure to third parties without express authority is strictly forbidden.

IPC4020-CD-001\_0002.dwg

STANDARD DRAWING

				IPC4020 - Fault detector		Design checked by T.K	Scale	CIRCUIT DIAGRAM	Rev Ind 2
2	Rev.	BoA	220815	for overcurrent and earth fault		Drawn by BoA	Date 2020-02-20	IPC4020	Sheet 2
1	Rev. CT, 1A o C, terminal marking	BoA	200601	with integrated remote terminal unit/RTU	<b>Ensto Protrol AB</b>		Article no: 101140	Sheet/Cont 2	
Rev	Revision	Sign.	Date			IPC4020-CD-001		--	

1

2 V

3

A

4

5

6