

1

2 A

3

v

4

5




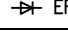

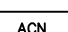
6

**BINÄRA INGÅNGAR / BINARY INPUTS**


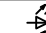
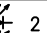
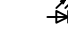
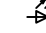
Binära ingångar / Binary Inputs

**IPC4020exp3**

**FUNCTION**

 RUN  
 EVNT  
 OC  
 EF  
 AUX  
 IRF

Blinkar 0,5Hz vid ok / Normally flashing at 0.5 Hz  
 Telegram i kön / Unsent telegram in the queue  
 Överström/Overcurrent / Jordfel/Earth fault  
 Frekvensavvikelse / Frequency deviation

 EX  
 1  
 2  
 3  
 4


1: Detektor 1/Detector 1  
 2: Detektor 2/Detector 2  
 3: Detektor 3/Detector 3  
 4: Generell start, OC eller EF / Indicates start fault detection

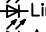
X6  
 1 BIO1  
 2 BIO2  
 3 BIO3  
 4 BIO4  
 5 BIO5  
 6 BIO6  
 7 BIO7  
 8 BIO8  
 9 BIO9  
 X5  
 1 BIO9  
 2 BIO10  
 3 BIO11  
 4 BIO12  
 5 BIO13  
 6 BIO14  
 7 BIO15  
 8 BIO16  
 9

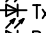

X1  
 1A 1A  
 2 IL1


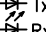
X2  
 1A 1A  
 2 IL2

X3  
 1A 1A  
 2 IL3

Configuration via USB  
 USB RX/TX  
 USB PORT Type B  
 Servicegränssnitt/Service port  
 USB port, type B


 Link Act  
 Ethernet 10/100Base  
 Service port - IEC 60870-5-104  
 Ethernet  
 RJ45 10/100Base - TX Full Dupl.

X11  
 SLAVE  
 TxL RS485 TX+  
 RxL RS485 TX-  
 COM.PORT RX(TX)+  
 RX(TX)-  
 TERM  
 RS485(-422) - IEC 60870-5-101.  
 2- eller 4-tråds kommunikation\*/2- or 4-wire\*  
 Terminering/Termination

X13  
 MASTER  
 TxL RS485 RX(TX)+  
 RxL RS485 RX(TX)-  
 COM.PORT  
 OPTION  
 RS485 - EC 60870-5-101 Master  
 2-tråds kommunikation/ 2-wire  
 Terminering/Termination

X12  
 OPTION  
 DSUB RS232  
 OPTION - RS232

Strömförsörjning / Power supply  
 X4  
 1  
 3  
 2  
 POWER 24 - 48 VDC

 PWR

blad 2/sheet 2

\*) Option

STANDARD DRAWING

2	Rev.	BoA	220810	IPC4020exp3 - Fault detector		Design checked by T.K	Scale	CIRCUIT DIAGRAM	Rev Ind 2
1	Rev. CT, 1A o C, terminal marking	BoA	200601	for overcurrent and earth fault		Drawn by BoA	Date 2020-02-20	Article no: 101143	Sheet 1
Rev	Revision	Sign.	Date	with integrated remote terminal unit/RTU	<b>Ensto Protrol AB</b>			IPC4020exp3-CD-001	Sheet/Cont 2

1

2 V

3

4

5

6

We reserve all rights in this document and the information contained therein. Reproduction, use or disclosure to third parties without express authority is strictly forbidden.

IPC4020exp3-CD-001\_0001.dwg

1

2 A

3

v

4

5

6

blad 1/sheet 1

IPC4020exp3

Binära utgångar  
/Binary outputsBINÄRA UTGÅNGAR  
/BINARY OUTPUTS

RELAY	FUNCTION
B0.01	-
B0.02	-
B0.03	-
B0.04	-
B0.05	-
B0.06	-
B0.07	-
B0.08	-

DETECTOR 2

DETECTOR 3

We reserve all rights in this document and the information contained therein. Reproduction, use or disclosure to third parties without express authority is strictly forbidden.

IPC4020exp3-CD-001\_0002.dwg

STANDARD DRAWING

				IPC4020exp3 - Fault detector	Design checked by T.K	Scale	CIRCUIT DIAGRAM	Rev Ind 2
2	Rev.	BoA	220815	for overcurrent and earth fault	Drawn by BoA	Date 2020-02-20	IPC4020exp3	Sheet 2
1	Rev. CT, 1A o C, terminal marking	BoA	200601	with integrated remote terminal unit/RTU			Article no: 101143	Sheet/Cont 2
Rev	Revision	Sign.	Date		<b>Ensto Protrol AB</b>		IPC4020exp3-CD-001	--

1

2 V

3

A

4

5

6